



AN2185

Application Note

MCU Interface Using Romeo2

Using the SPI

By using a Serial Peripheral Interface (SPI) interrupt service routine to fetch UHF data, a greatly reduced cpu load is realized. The SPI also allows the UHF data reading to run as a background task.

The following is an example of what Romeo2 output might look like while reading software with an HC908.

```
Init_Read_UHF      Idhx #first_byte

Read_Tx_UHF        wait
                   cbeqx #last_byte,end_Tx_read
                   jmp Read_Tx_UHF

SPI_ISR            Ida spsr
                   MOV SPDR,X+
                   rti
```

with “last_byte” being the address of the last UHF byte,
“first_byte” being the address of the first UHF byte,
“spsr” being the SPI status and control register,
“spdr” being the SPI register.

Therefore, to read a byte from Romeo2, the cpu is busy for only 24 cpu cycles, or 3 μ s at 8 MHz. This means that the cpu is busy for only 0.3% of the time with a 9600 bauds datarate.

Standby Mode

Standby Mode

There are two options which can occur while in standby mode.

1. The MCU is stopped.
2. The MCU is in Wait mode at a low cpu speed.

Option 1

If an HC908 MCU is in Stop mode, it can only be awoken by a falling edge on the IRQ or reset pins.

Let us make the following assumptions:

- Datarate = 9600 bauds
- Romeo2 strobe period = 4 ms

One solution is to route the SCLK of Romeo2's output to the IRQ and SCLK pins of the MCU.

The protocol is:

- Wake-up signal (tone)
- Header
- Useful Data

Romeo2 then processes the received UHF data in two steps. First, Romeo2 will initially be set up as DME = 1 and HE = 0. The tone length must be longer than the total of:

Two successive Romeo2 wake-up periods + the MCU wake-up time + one byte length

As soon as the received UHF frame awakens Romeo2, a clock signal is shifted out of Romeo2. The SCLK output from Romeo2 is routed to the SCLK of the MCU and also to the IRQ. The first edge on the SCLK then wakes up the MCU from Stop mode. Once the MCU is running, the IRQ is disabled so that the IRQ interrupt requests are no longer serviced during data reception and the MCU will read data on MOSI, thanks to the SPI.

The tone is long enough so that at least one \$FF byte is read by the SPI MCU. A time-out, thanks to the PIT, can also be run in parallel so that the MCU goes back to sleep if it was a false wake-up signal (for example, a glitch on the SCLK). If a \$FF is effectively read on MOSI, it means that the MCU received a valid UHF wake-up signal.

Romeo2 now goes on to the second step. In this step, the MCU changes the Romeo2 set-up so that HE = 1 and holds Romeo2 awake with Strobe = High. Useful data is now read with its SPI port. Another MCU time-out might be run so that the MCU goes back into Sleep mode if no data is received within a certain time-slot. When the time-out occurs or when the data is fully received, the initial Romeo2 set-up is downloaded back.

Both the above protocol and this type of data handling was demonstrated experimentally by Motorola.

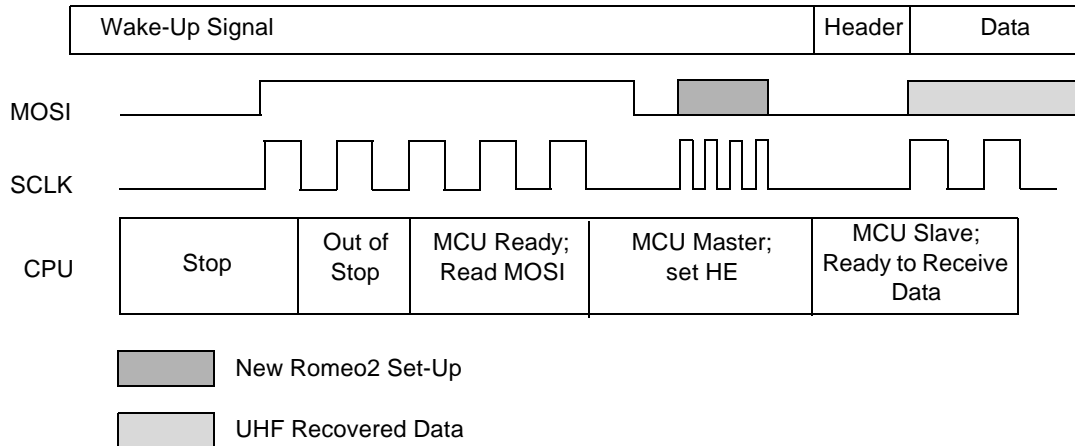


Figure 1.

Note that Figure 1 is true when there is no pull-up on IRQ. If there is a pull-up on IRQ, the wake-up sequence is a little different. As a matter of fact, Romeo2 pulls down SCLK and MOSI when it is awoken by its internal strobe oscillator, causing a falling edge on SCLK. The result is that the MCU is awoken at each Romeo2's wake-up. The MCU is now in Wait mode for the time-out duration. If no data is received within this time slot, the MCU goes back to sleep.

To evaluate the total I_{dd} current in parking mode, assume the following:

With no pull-up on IRQ,

$$I_{dd_HC08} = 100 \mu\text{A in stop (worst case stop current of an HC08AB32 MCU.)}$$

$$I_{dd_Romeo2} = 0.45 \text{ mA with an on/off ratio of 15}$$

$$\text{Total } I_{dd} = 0.55 \text{ mA}$$

With a pull-up on IRQ, the MCU is awoken and in wait for the time-out length. Although the length can be as short as one byte, in this case a 2 ms time-out will be considered so that 1 ms is taken into account for servicing the pending software jobs. It will also be assumed that a 4 MHz crystal is used so that the maximum cpu frequency can be 16 MHz. When exiting out of stop, the cpu frequency is $F_{\text{crystal}}/4 = 1 \text{ MHz}$; in this evaluation, 1ms is assumed as the time to exit out of stop. The wait I_{dd} at 1 MHz is 0.8 mA (2H56A mask set).

$$\text{Mean } I_{dd_HC08} = 0.8\text{mA} * 3/64 + 0.1 \text{ mA} * 61/64 = 0.13 \text{ mA}$$

(the MCU is in Wait for 3 ms which is split into 2 ms for the time-out and 1 ms for the MCU wake-up time, and in Stop for 61 ms; 64 ms being the total Romeo2 wake-up period.)

$$I_{dd_Romeo2} = 0.45\text{mA with an off/on ratio of 15}$$

$$\text{Total } I_{dd} = 0.6 \text{ mA}$$

Standby Mode**Option 2**

With this option, the MCU goes into Wait mode with the SPI enabled in order to wake up the MCU. Motorola has tested this option using an HC08 (mask set 2H56A) and a Romeo2 RF receiver. Although the MCU is in wait mode, the MCU is configured at the lowest cpu speed that is compatible for reading data. In fact, it is assumed that when a vehicle is parked, only the receiver function is required for the body controller and that no high cpu speed is needed.


The time necessary for the MCU to read and save the received byte is 22 cpu cycles. This time slot has to be smaller than the byte time slot. This means that $22 * T_{cpu} < T_{Byte}$. Therefore, T_{cpu} must be smaller than 37 μ s. The lowest cpu frequency which is required for reading Romeo2 output, utilizing the SPI, is then about 30 kHz.

Assuming that the MCU quartz is 1 MHz so that it can speed up to 4 MHz with the internal PLL, when the PLL is disabled, the cpu frequency is then 250 kHz. This is higher than the minimum cpu frequency which is required to read data at 9600 bauds. This scenario has also been demonstrated experimentally.

$I_{dd_HC08} = 0.56$ mA in wait with a 1 MHz quartz (and a 250 kHz cpu clock)
and the SPI module enabled (mask set 2H56A)

$I_{dd_Romeo2} = 0.45$ mA with an on/off ratio of 15

Total I_{dd} in parking with the HC08 = 1.01 mA

Motorola reserves the right to make changes without further notice to any products herein. Motorola makes no warranty, representation or guarantee regarding the suitability of its products for any particular purpose, nor does Motorola assume any liability arising out of the application or use of any product or circuit, and specifically disclaims any and all liability, including without limitation consequential or incidental damages. "Typical" parameters can and do vary in different applications and actual performance may vary over time. All operating parameters, including "Typicals", must be validated for each customer application by customer's technical experts. Motorola does not convey any license under its patent rights nor the rights of others. Motorola products are not designed, intended, or authorized for use as components in systems intended for surgical implant into the body, or other applications intended to support or sustain life, or for any other application in which the failure of the Motorola product could create a situation where personal injury or death may occur. Should Buyer purchase or use Motorola products for any such unintended or unauthorized application, Buyer shall indemnify and hold Motorola and its officers, employees, subsidiaries, affiliates, and distributors harmless against all claims, costs, damages, and expenses, and reasonable attorney fees arising out of, directly or indirectly, any claim of personal injury or death associated with such unintended or unauthorized use, even if such claim alleges that Motorola was negligent regarding the design or manufacture of the part. Motorola and  are registered trademarks of Motorola, Inc. Motorola, Inc. is an Equal Opportunity/Affirmative Action Employer.

MOTOROLA and the Stylized M Logo are registered in the US Patent & Trademark Office. All other product or service names are the property of their respective owners. © Motorola, Inc. 2001.

HOW TO REACH US:

USA/EUROPE/LOCATIONS NOT LISTED: Motorola Literature Distribution: P.O. Box 5405, Denver, Colorado 80217.
1-303-675-2140 or 1-800-441-2447

JAPAN: Motorola Japan Ltd.; SPS, Technical Information Center, 3-20-1 Minami-Azabu. Minato-ku, Tokyo 106-8573 Japan.
81-3-3440-3569

ASIA/PACIFIC: Motorola Semiconductors H.K. Ltd.; Silicon Harbour Centre, 2 Dai King Street, Tai Po Industrial Estate, Tao Po, N.T., Hong Kong. 852-26668334

TECHNICAL INFORMATION CENTER: 1-800-521-6274

HOME PAGE: <http://motorola.com/semiconductors/>



MOTOROLA

AN2185/D

SUNSTAR 商斯达实业集团是集研发、生产、工程、销售、代理经销、技术咨询、信息服务等为一体的高科技企业，是专业高科技电子产品生产厂家，是具有 10 多年历史的专业电子元器件供应商，是中国最早和最大的仓储式连锁规模经营大型综合电子零部件代理分销商之一，是一家专业代理和分销世界各大品牌 IC 芯片和电子元器件的连锁经营综合性国际公司，专业经营进口、国产名厂名牌电子元件，型号、种类齐全。在香港、北京、深圳、上海、西安、成都等全国主要电子市场设有直属分公司和产品展示展销窗口门市部专卖店及代理分销商，已在全国范围内建成强大统一的供货和代理分销网络。我们专业代理经销、开发生产电子元器件、集成电路、传感器、微波光电元器件、工控机/DOC/DOM 电子盘、专用电路、单片机开发、MCU/DSP/ARM/FPGA 软件硬件、二极管、三极管、模块等，是您可靠的一站式现货配套供应商、方案提供商、部件功能模块开发配套商。商斯达实业公司拥有庞大的资料库，有数位毕业于著名高校——有中国电子工业摇篮之称的西安电子科技大学（西军电）并长期从事国防尖端科技研究的高级工程师为您精挑细选、量身订做各种高科技电子元器件，并解决各种技术问题。

更多产品请看本公司产品专用销售网站：

商斯达中国传感器科技信息网：<http://www.sensor-ic.com/>

商斯达工控安防网：<http://www.pc-ps.net/>

商斯达电子元器件网：<http://www.sunstare.com/>

商斯达微波光电产品网：[HTTP://www.rfoe.net/](http://www.rfoe.net/)

商斯达消费电子产品网：<http://www.icasic.com/>

商斯达实业科技产品网：<http://www.sunstars.cn/>

传感器销售热线：

地址：深圳市福田区福华路福庆街鸿图大厦 1602 室

电话：0755-83370250 83376489 83376549 83607652 83370251 82500323

传真：0755-83376182 (0) 13902971329 MSN: SUNS8888@hotmail.com

邮编：518033 E-mail:szss20@163.com QQ: 195847376

深圳赛格展销部：深圳华强北路赛格电子市场 2583 号 电话：0755-83665529 25059422

技术支持：0755-83394033 13501568376

欢迎索取免费详细资料、设计指南和光盘；产品凡多，未能尽录，欢迎来电查询。

北京分公司：北京海淀区知春路 132 号中发电子大厦 3097 号

TEL: 010-81159046 82615020 13501189838 FAX: 010-62543996

上海分公司：上海市北京东路 668 号上海赛格电子市场 2B35 号

TEL: 021-28311762 56703037 13701955389 FAX: 021-56703037

西安分公司：西安高新开发区 20 所(中国电子科技集团导航技术研究所)

西安劳动南路 88 号电子商城二楼 D23 号

TEL: 029-81022619 13072977981 FAX:029-88789382